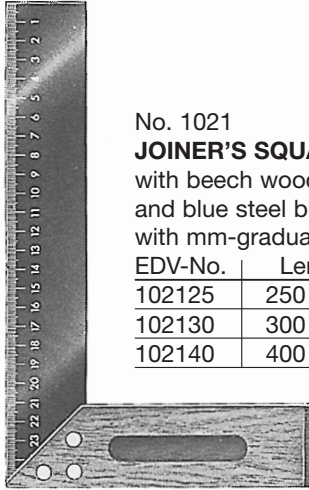
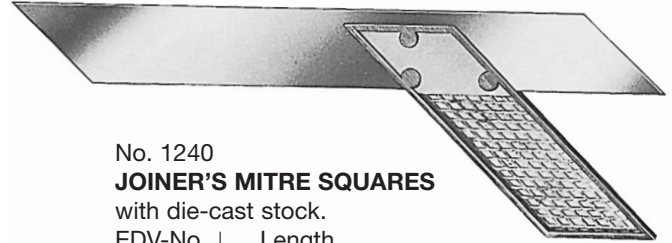


Joiner's Tools



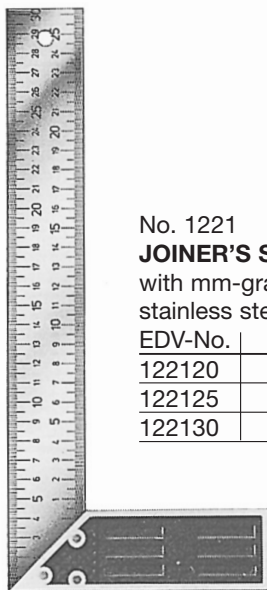
No. 1021
JOINER'S SQUARES
 with beech wood stock,
 and blue steel blade,
 with mm-graduation.

EDV-No.	Length
102125	250 mm
102130	300 mm
102140	400 mm



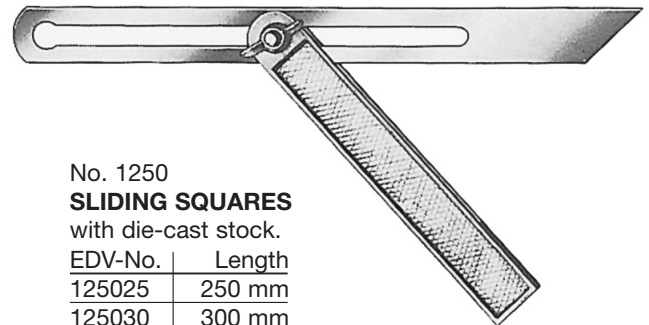
No. 1240
JOINER'S MITRE SQUARES
 with die-cast stock.

EDV-No.	Length
124025	250 mm
124030	300 mm



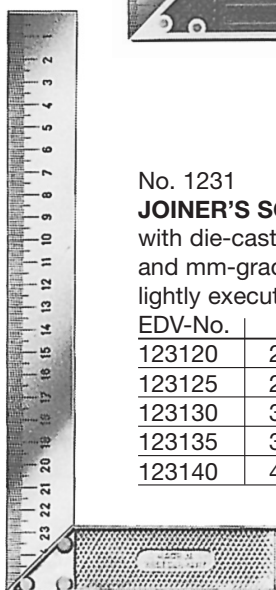
No. 1221
JOINER'S SQUARES
 with mm-graduation,
 stainless steel.

EDV-No.	Length
122120	200 mm
122125	250 mm
122130	300 mm



No. 1250
SLIDING SQUARES
 with die-cast stock.

EDV-No.	Length
125025	250 mm
125030	300 mm



No. 1231
JOINER'S SQUARES
 with die-cast stock
 and mm-graduation,
 lightly execution.

EDV-No.	Length
123120	200 mm
123125	250 mm
123130	300 mm
123135	350 mm
123140	400 mm

No. 1040
ADJUSTABLE SLIDING BEVELS
 with wing nut and wooden stock.

EDV-No.	Length
104025	250 mm
104030	300 mm

