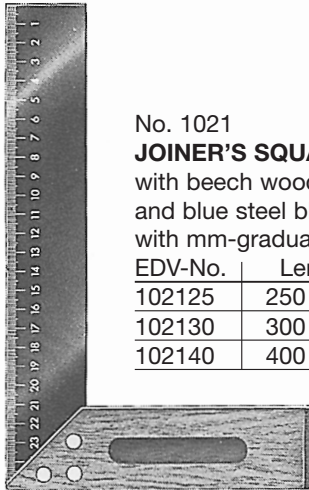
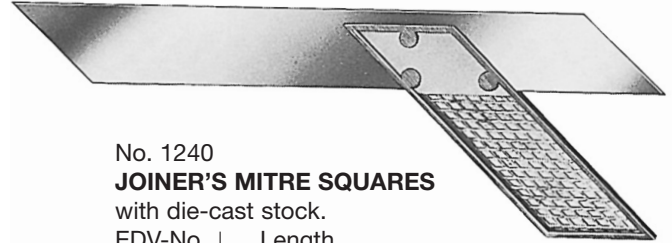


## Joiner's Tools



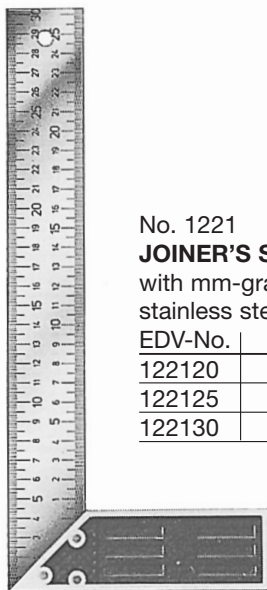
No. 1021  
**JOINER'S SQUARES**  
 with beech wood stock,  
 and blue steel blade,  
 with mm-graduation.

| EDV-No. | Length |
|---------|--------|
| 102125  | 250 mm |
| 102130  | 300 mm |
| 102140  | 400 mm |



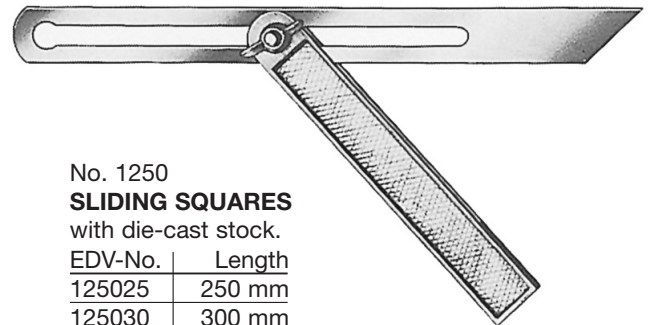
No. 1240  
**JOINER'S MITRE SQUARES**  
 with die-cast stock.

| EDV-No. | Length |
|---------|--------|
| 124025  | 250 mm |
| 124030  | 300 mm |



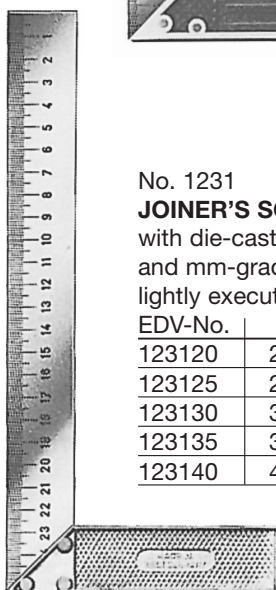
No. 1221  
**JOINER'S SQUARES**  
 with mm-graduation,  
 stainless steel.

| EDV-No. | Length |
|---------|--------|
| 122120  | 200 mm |
| 122125  | 250 mm |
| 122130  | 300 mm |



No. 1250  
**SLIDING SQUARES**  
 with die-cast stock.

| EDV-No. | Length |
|---------|--------|
| 125025  | 250 mm |
| 125030  | 300 mm |



No. 1231  
**JOINER'S SQUARES**  
 with die-cast stock  
 and mm-graduation,  
 lightly execution.

| EDV-No. | Length |
|---------|--------|
| 123120  | 200 mm |
| 123125  | 250 mm |
| 123130  | 300 mm |
| 123135  | 350 mm |
| 123140  | 400 mm |

No. 1040  
**ADJUSTABLE SLIDING BEVELS**  
 with wing nut and wooden stock.

| EDV-No. | Length |
|---------|--------|
| 104025  | 250 mm |
| 104030  | 300 mm |

