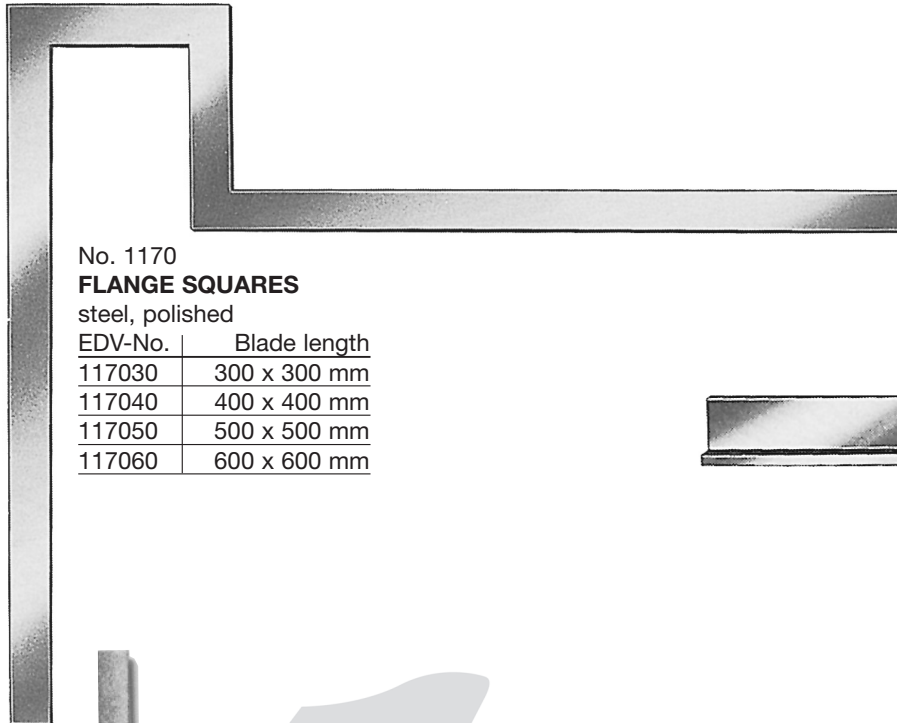
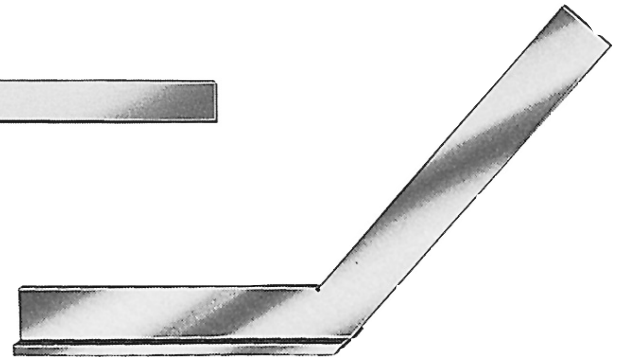


**Special Squares (flange, mitre, sliding, potter)**  
**Steel Dividers (curve, point)**  
**Precision-Marking gauges**



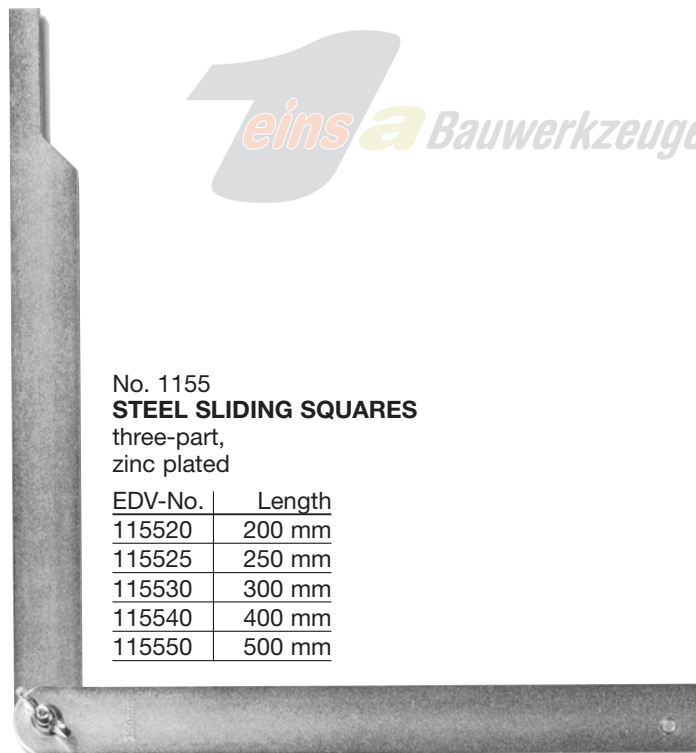
No. 1170  
**FLANGE SQUARES**  
 steel, polished

EDV-No.	Blade length
117030	300 x 300 mm
117040	400 x 400 mm
117050	500 x 500 mm
117060	600 x 600 mm



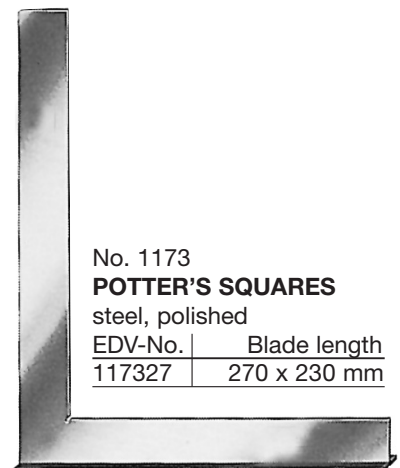
No. 1145  
**BEVELLED SQUARE WITH BACK**  
 steel, zinc plated

EDV-No.	Blade length
114510	100 x 100 mm
114515	150 x 150 mm
114520	200 x 200 mm
114525	250 x 250 mm



No. 1155  
**STEEL SLIDING SQUARES**  
 three-part,  
 zinc plated

EDV-No.	Length
115520	200 mm
115525	250 mm
115530	300 mm
115540	400 mm
115550	500 mm



No. 1173  
**POTTER'S SQUARES**  
 steel, polished

EDV-No.	Blade length
117327	270 x 230 mm

No. 1270  
**PRECISION-MARKING GAUGES**  
 steel, satin chrome finish with mm-graduation

EDV-No.	Length
127020	200 mm
127025	250 mm
127030	300 mm

